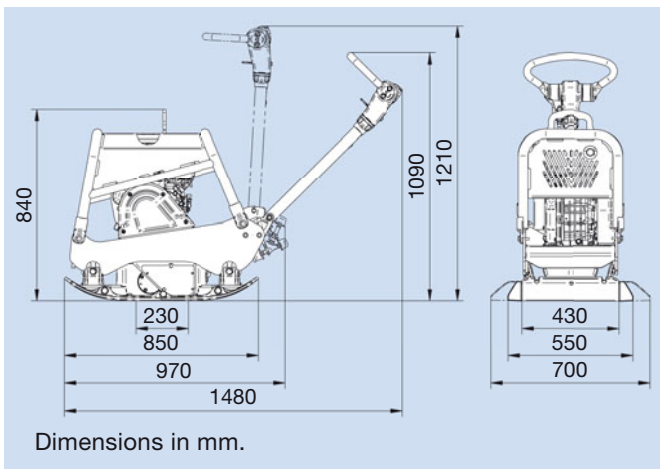


CR 4i

Reversible soil compactors – powerful basis

Outstanding compacting performance, well-balanced operating characteristics, and economically superior: These attributes are the distinguishing features of the CR 4i reversible soil compactor, whose feature options have been deliberately stripped down to the key essentials. Powered by a dependable Yanmar diesel engine with recoil starter, the machine produces exceptional compacting results and is extremely easy to service.

This premium-quality soil compactor is the perfect choice when it comes to both compacting nearly all types of material used in road building applications and vibrating paving stones.



Available accessories

Extension plates, polypad for pavers.

Advantages of the CR 4i

- ▶ All maintenance elements are within easy reach.
- ▶ Motor protection frame as a standard feature.
- ▶ Quick and safe loading of the machine thanks to a large lifting eye.
- ▶ Height-adjustable manual guide bar and low-vibration handle bar.
- ▶ Working width can be adjusted by means of extension plates.

Technical data

Typ		CR 4i
Operating weight to CECE	kg (lbs)	281 (619)
Centrifugal force	kN (lbs)	40 (8995)
Frequency	Hz (r.p.m.)	75 (4500)
Operating width	mm (in.)	550 / 700 (21.6 / 27.6)
Engine manufacturer		Yanmar L 70 N
Engine type		Diesel
Engine power output, max.	kW (HP)	4.9 (6.7)
Power output at operating speed	kW (HP) at r.p.m.	4.6 (6.3) at 3300
Working speed	m/min (ft/min.)	0-25 (0-82)

We reserve the right to alter specifications.